

Multi-Parameter Controller PX100

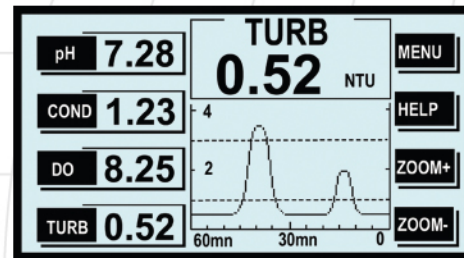
Concept

Build around a powerful 32-bit microprocessor, the PCX controller provides all the facilities required on a multi-channel instrument:

- Graphic display of the measurements
- Menu-driven calibration functions
- Data logging over several weeks
- RS232/RS485 communication
- Web server module with Ethernet interface for connection to any remote browser

With multiple configurations, applications covers mainly:

- Drinking water treatment plants
- Food industry
- River monitoring



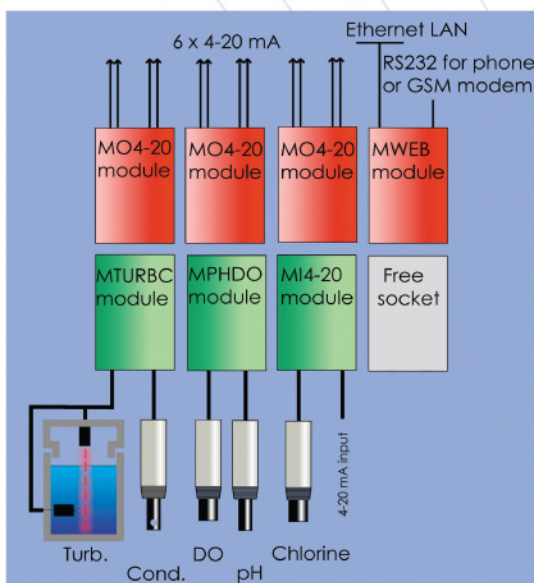
Modular configuration

Based on a modular concept for inputs and outputs, all kind of configurations can be selected to fit with the application.

The 4 input sockets can receive any input module: Turbidity-conductivity, pH-DO and dual 4-20 mA inputs for conditioned probes (chlorine, ozone, chlorine dioxide) or level probes.

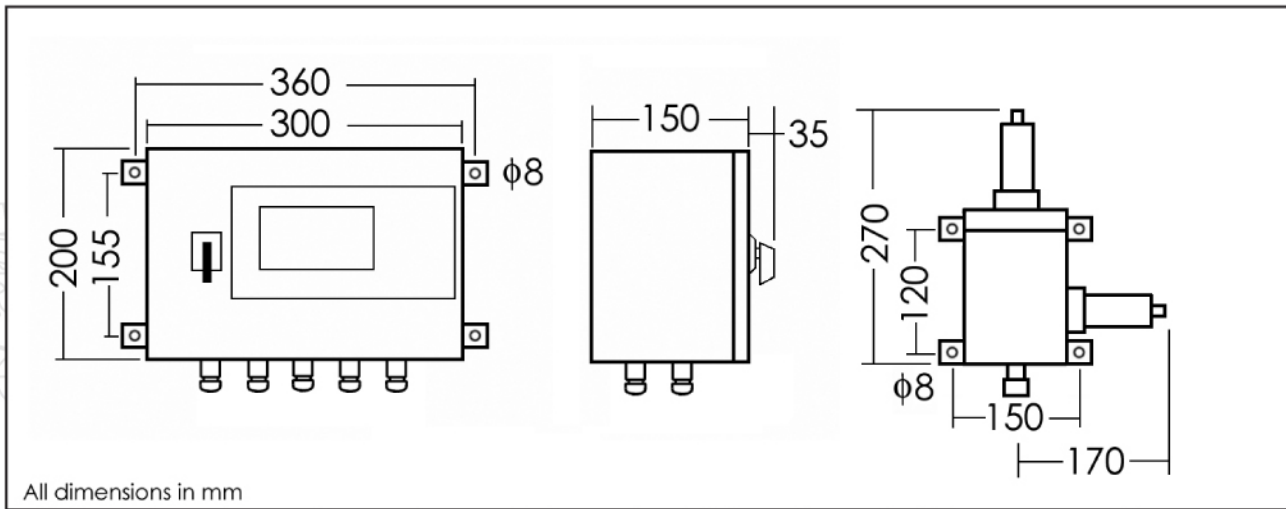
Any change in the configuration is automatically detected on power-up and a configuration screen helps the operator to set-up the new channel.

The figure below shows a typical six parameters configuration as example.



Typical six parameters configuration

Multi-Parameter Controller PX100



	Turbidity	pH	Cond.	Temp.	Chlorine	DO
Range	0-100 NTU	0-14	0-2000 μ S*	0-50°C	0-2 mg/l*	0-20 mg/l
Resolution	0.01 NTU	0.01	0.01 μ S	0.1°C	0.01 mg/l	0.01 mg/l
Accuracy	+/- 2%	+/-0.01	+/-1%	+/-0.2°C	+/-5%	+/-5%

*other ranges on request

ATC input	: RTD Pt1000 Ohm
Analog output	: 4-20 mA opto-isolated, 12-bit resolution, 500 Ohm max, active
Alarm output	: 4 relay contacts NO, programmable, with hysteresis band and delay
Communication	: RS232-No specific software required, data compatible with Excel® RS485 - Modbus protocol Ethernet - Web server, FTP protocol
Display	: 240x128 pixels LCD with backlight
Power supply	: 110-130 V or 220-240 V / 30 VA / 50-60Hz - Internal voltage selector or 12V DC, 0.6A
Operating limits	: 0 to 50°C
CE standards	: Electromagnetic compatibility EN 50081-2 ,EN50082-2,EN55011
Enclosure	: IP65/Nema 4X, coated steel for indoor use only
Dimensions	: 300x200x150 mm WxHxD (controller only)
Weight	: 5kg (controller only)

Ordering reference: PCX/TURB/PH/COND/TEMP/CL2/DO

TURB	: turbidity probe (with MTURBC module)
PH	: pH (with MPHDO module)
COND	: conductivity probe (with MTURBC module)
TEMP	: temperature form other probe (with MTURBC or MPHDO module)